



Technical Specifications

MOBOTIX MOVE Vandal Multisensor PTZ Combo 20MP Video Analytics Camera

The MOBOTIX MOVE Vandal Multisensor PTZ Combo 20MP Video Analytics Camera incorporates four 5MP fixed-lens sensors plus one 2MP (1080p) PTZ network camera with remote-controlled 21x zoom/focus lens for optimum positioning and alignment to the application needs. The camera provides four individual video-streams plus a combined stream of all four video streams for undistorted 360° views, making it ideally suited for surveillance of large areas or road intersections. Multiple sensor modules and the integrated AI-VMD analytics features enable the detection of vehicles and motion, as well as object tracking via the motorized PTZ unit.

- 4 x 5MP multi-directional camera + 2MP (1080p) 21x PTZ camera
- Fixed-focus lens 3.2 mm (<Multisensor>) and 21x motorized zoom/focus lens 4.0 to 84.6 mm (<PTZ>)
- WDR up to 144 dB
- Quad streaming H.264/H.265/MJPEG
- Intelligent encoding, smart low-bitrate control
- MOBOTIX MxMessageSystem
- ONVIF Profile S/G/T/M support
- Integrated AI-VMD analytics
- microSD/SDHC/SDXC card support up to 512 GB
- Audio Line In/Out
- PoE++ (IEEE802.3bt compliant) DC54 V: max. 35.6 W
- Operating temperature range -40 to 55 °C/-40 to 131 °F
- Outdoor protection rate IP66, IP67, IK10
- NDAA and NEMA 4x compliant
- Built-in FIPS 140-2 Level 3-certified TPM hardware/firmware



BeyondHumanVision

MOBOTIX MOVE

www.mobotix.org.cn

北京新盛阳光科技有限公司

Technical Specifications

MOBOTIX MOVE Vandal Multisensor PTZ Combo 20MP Video Analytics Camera

Product Information

Product Name	Vandal Multisensor PTZ Cornbo 20MP Video Analytics Camera
Order Code	Mx-VMSDIA-2021-VA-SL

Hardware Design

Processor	<Multisensor>: Ambarella CV2 (Quad-core ARM® Cortex®-A53, 1 GHz) <PTZ>: Ambarella CV25m (Quad-core ARM® Cortex®-A53, 1 GHz)
Memory	RAM: 1 GB FLASH: 256 MB
Image Sensors	<Multisensor>: 4 x 5MP 1/2.7" Progressive CMOS <PTZ>: 1 x 2MP (1080p) 1/2.8" Progressive CMOS
Effective (Used) Pixels	<Multisensor>: 2560x1920 (5MP) (per image sensor) <PTZ>: 1920x1080 (2MP)

Lens

Optical Zoom	<Multisensor>: 1x <PTZ>: 21x (motorized zoom/motorized focus)
Digital Zoom	<Multisensor>: max. 4x (resolution 640x360) <PTZ>: max. 31x (resolution 1280x720)
Minimum Illumination	<Multisensor> Color: 0.12 lx (30IRE, F2.0, 1/30 s) Color: 0.17 lx (50IRE, F2.0, 1/30 s) BW: 0.10 lx (50IRE, F2.0, 1/30 s) <PTZ> Color: 0.011 lx (30IRE, F1.6, 1/30 s) Color: 0.015 lx (50IRE, F1.6, 1/30 s) BW: 0.006 lx (50IRE, F1.6, 1/30 s)

MOBOTIX MOVE Vandal Multisensor PTZ Combo 20MP Video Analytics Camera

Focus Adjustment	<Multisensor>: - <PTZ>: Auto focus
Lens Characteristics (per image sensor)	<p><Multisensor> Focal length: 3.2 mm Aperture: F1.6 Field of view: horizontal 97°, vertical 71° Focus range: 1 m/3.28 ft to ∞</p> <p><PTZ> 21x motorized lens: zoom, focus Focal length: 4.0 to 84.6 mm Aperture: F1.6 (wide), F4.5 (tele) Field of view: horizontal 3.7 to 77°, vertical 2.2 to 44° Focus range: 1.5 m/4.92 ft to ∞</p>

Camera

Shutter Speed	<Multisensor>: 15 fps: 1/10000s to 16/30s <PTZ>: 15/30/60 fps: 1/4000s to 16/30s
Shutter Priority Mode	Up to 1/45s
Frame Rates (maximum)	<p><Multisensor> H.265/H.264: 5MP@15 fps MJPEG: 1080p@15 fps</p> <p><PTZ> H.265/H.264: 2MP (1080p)@60 fps MJPEG: 1080p@60 fps</p>
Auto Gain	Min. gain: 0 dB, max. gain: 11 dB, step size: 1
WDR	<Multisensor>: 108 dB max. <PTZ>: 144 dB max.
White Balance	ATW1/ATW2/AWC
Back Light/High Light Compensation	BLC (Back light compensation)/HLC (High light compensation)/Off (only when Super Dynamic/Intelligent Auto: Off)
Fog Compensation	On/Off (only when Intelligent Auto/Auto Contrast Adjust: Off)

Technical Specifications

MOBOTIX MOVE Vandal Multisensor PTZ Combo 20MP Video Analytics Camera

Maximum Gain (AGC)	Level 0 to 11
Color/BW (ICR)	Off/On/Auto1(Normal)/Auto2(IR Light)/Auto3(SCC)
Digital Noise Reduction	Level 0 to 255
Image Rotation	180°
Adjusting Angles	<Multisensor> Camera 1,2,3,4: Vertical: 40 ±7° (adjust by vertical (TILT) angle) <PTZ> Horizontal: 360° endless panning Vertical: -15 to +195°/Yaw: 0°

PTZ Features (<PTZ> Only)

Preset Positions	256
Auto Mode	Auto track/Auto pan/Preset sequence/Patrol
Auto Return	10 s/20 s/30 s/1 min/2 min/3 min/5 min/10 min/20 min/30 min/60 min
Pan Range	360° endless
Tilt Range	-15° to +195°
Pan Speed	Manual Pan Speed: 0.065° to 150°/s Preset Pan Speed: Up to 500°/s
Tilt Speed	Manual Tilt Speed: 0.065° to 150°/s Preset Tilt Speed: Up to 500°/s

Video Codec

Compression/Encoding	H.265/H.264/MJPEG
Streaming	Up to 4 individually configurable streams for MS and 1 combined stream in H.264/H.265/MJPEG Configurable resolution, frame rate, bandwidth CBR/VBR in H.265/H.264.

MOBOTIX MOVE Vandal Multisensor PTZ Combo 20MP Video Analytics Camera

Audio Codec

Compression/Encoding	G.711/G.726/AAC-LC
Streaming	Bi-directional
Audio Input	3.5 mm stereo mini jack
Audio Output	3.5 mm stereo mini jack

Cyber Security Features

Password Protection	Yes
IEEE 802.1X network access control	Yes (for advanced network security and authentication)
Digest authentication	Yes (for secure user authentication)
FIPS 140-2 Level 3	Yes (NXP® EdgeLock® SE050F Trusted Platform Module: Certificate #3840) Security Level Exceptions: <ul style="list-style-type: none">▪ Physical Security: Level 4
Secure Boot	Yes (support of fixed IP setting and automatic DHCP IP configuration according to individual MAC address)
AES encryption for password protection	Yes (to ensure strong encryption for password storage)
HTTPS/SSL (using TLS)	Yes
Digital Certificate	Yes, GlobalSign® device certificate pre-installed
User Authentication	Yes
Host Authentication	Yes
Alteration Detection	Yes

Network

Interface	10/100/1000 Mbps Ethernet
Supported Protocols	ARP, IPv6, ICMP, TCP, UDP, DHCPv6, SNMP, SMTP, RTP, HTTP, HTTPS, NTP, DNS, LLDP, MQTT, IEEE 802.1X, MLD
ONVIF Conformance	Supports profiles S/G/T/M

Technical Specifications

MOBOTIX MOVE Vandal Multisensor PTZ Combo 20MP Video Analytics Camera

Supported Browsers	Microsoft Edge, Firefox, Google Chrome
Concurrent Users	<Multisensor>: 24 (depending on network load) <PTZ>: 14 (depending on network load)

System Integration

Video Motion Detection (VMD)	On/Off, up to 4 areas
Scene Change Detection (SCD)	On/Off, up to 1 area
Audio Detection	On/Off
AI Sound Classification	Selectable from Gunshot, Yell, Vehicle horn, Glass break
AI Analytics	<ul style="list-style-type: none">AI Video Motion DetectionAI Privacy GuardAI Face DetectionAI People DetectionAI Vehicle DetectionAI No-mask DetectionAI Occupancy DetectionAI Scene Change Detection
Alarm Sources	3 input pins, VMD alarm, SCD alarm, Command alarm, Audio detection alarm
Alarm Actions	SD card recording, E-mail notification, HTTP alarm notification, Indication on browser, TCP alarm notification
Privacy Zones	<Multisensor>: On/Off, up to 8 zones <PTZ>: On/Off, up to 32 zones
VIQS	<Multisensor>: On/Off, up to 8 zones <PTZ>: On/Off, up to 8 zones
Camera Title (OSD)	On/Off, up to 40 characters, up to 2 Lines (alphanumeric and special characters)

MOBOTIX MOVE Vandal Multisensor PTZ Combo 20MP Video Analytics Camera

General

Housing Materials	Main body: Aluminum die cast, white Outer fixing screws: stainless steel (corrosion-resistant treatment) Dome cover: PC resin, clear
Housing Color	RAL 9003
Power Requirements	PoE++ (IEEE802.3bt compliant): DC 54 V: 0.66 A/max. 35.6 W (Class 5 device)
Connectors	<ul style="list-style-type: none"> ▪ Network: 10 BASE-T/100 BASE-T/1000 BASE-T, RJ45 connector ▪ Audio input: 3.5 mm stereo mini jack ▪ Audio output: 3.5 mm stereo mini jack ▪ Alarm I/O: 3x Alarm in, 2x Alarm out
Video Storage	microSD SDHC/SDXC card support up to 512 GB Support for recording to NAS, MOBOTIX HUB, MOBOTIX MOVE NVR
Remotely Upgradable	Yes
Environmental Protection Class	IP66, IP67/IK10, Type 4X (UL50E), NEMA 4X-compliant
Operating Temperature	-40 to +55 °C/-40 to 131 °F (Power On range: -20 to +55 °C/-4 °F to 131°F) Maximum temperature according to NEMA TS 2 (2.2.7): 74°C/165°F
Relative Humidity	10 to 100 % non-condensing (using Temish element to protect against condensation)
Approvals	EMC: FCC (Part15 ClassA), ICES-003 ClassA, EN55032 ClassA, EN55024 Safety: UL (UL62368-1), c-UL (CSA C22.2 No.62368-1), CE, IEC62368-1 IT Security: FIPS 140-2 Level 3-certified (using certified TPM chipset)
Other Supported Standards	NEMA TS 2 (2.2.7-2.2.9)
Warranty	3 years; mechanically wearable parts (motor, gears, belts, etc.)
Dimensions	excluded ø 250 x 195 mm
Weight	3800 g

Technical Specifications

MOBOTIX MOVE Vandal Multisensor PTZ Combo 20MP Video Analytics Camera

NOTE!

Observe the [MOBOTIX MOVE Installation Hints](#) document to ensure optimum performance of the camera features.

DORI Specifications

In the video surveillance context, “DORI” stands for Detection, Observation, Recognition and Identification and is based on IEC EN62676-4: 2015. These levels define the minimum pixels that a face of a person must have to provide proper identification, for example.

DORI Levels According to IEC EN62676-4: 2015

These levels define the minimum pixels that a face of a person must have to provide proper identification, for example.

- **Detection:** Up to this distance, you can reliably determine if a person or vehicle is present.
- **Observation:** Up to this distance, you can see characteristic details of an individual, such as distinctive clothing.
- **Recognition:** Up to this distance, you can determine with a high degree of certainty whether an individual is the same as someone that has been seen before.
- **Identification:** Up to this distance, you can determine the identity of an individual beyond reasonable doubt.

DORI Distances

Multisensor Cameras

DORI Level	Detection	Observation	Recognition	Identification
Order Code				
Mx-VMUSD1A-2021-VA	45.3 m/148.6 ft	18.1 m/59.4 ft	9.1 m/29.7 ft	4.5 m/14.9 ft

PTZ Camera

DORI Level	Detection		Observation		Recognition		Identification	
	Wide-Angle	Tele	Wide-Angle	Tele	Wide-Angle	Tele	Wide-Angle	Tele
	Order Code:							
Mx-VMUSD1A-2021-VA	48.3 m/ 158.4 ft	1188.9 m/ 3900.5 ft	19.3 m/ 63.4 ft	475.5 m/ 1560.2 ft	9.7 m/ 31.7 ft	237.8 m/ 780.1 ft	4.8 m/ 15.8 ft	118.9 m/ 390.0 ft

Dimensions

NOTE!

Download the drilling template from the section or on the MOBOTIX website: www.mobotix.com > [Support](#) > [Download Center](#) > [Marketing & Documentation](#) > [Drilling Templates](#).

CAUTION!

Always print or copy the drilling template at 100% of the original size!

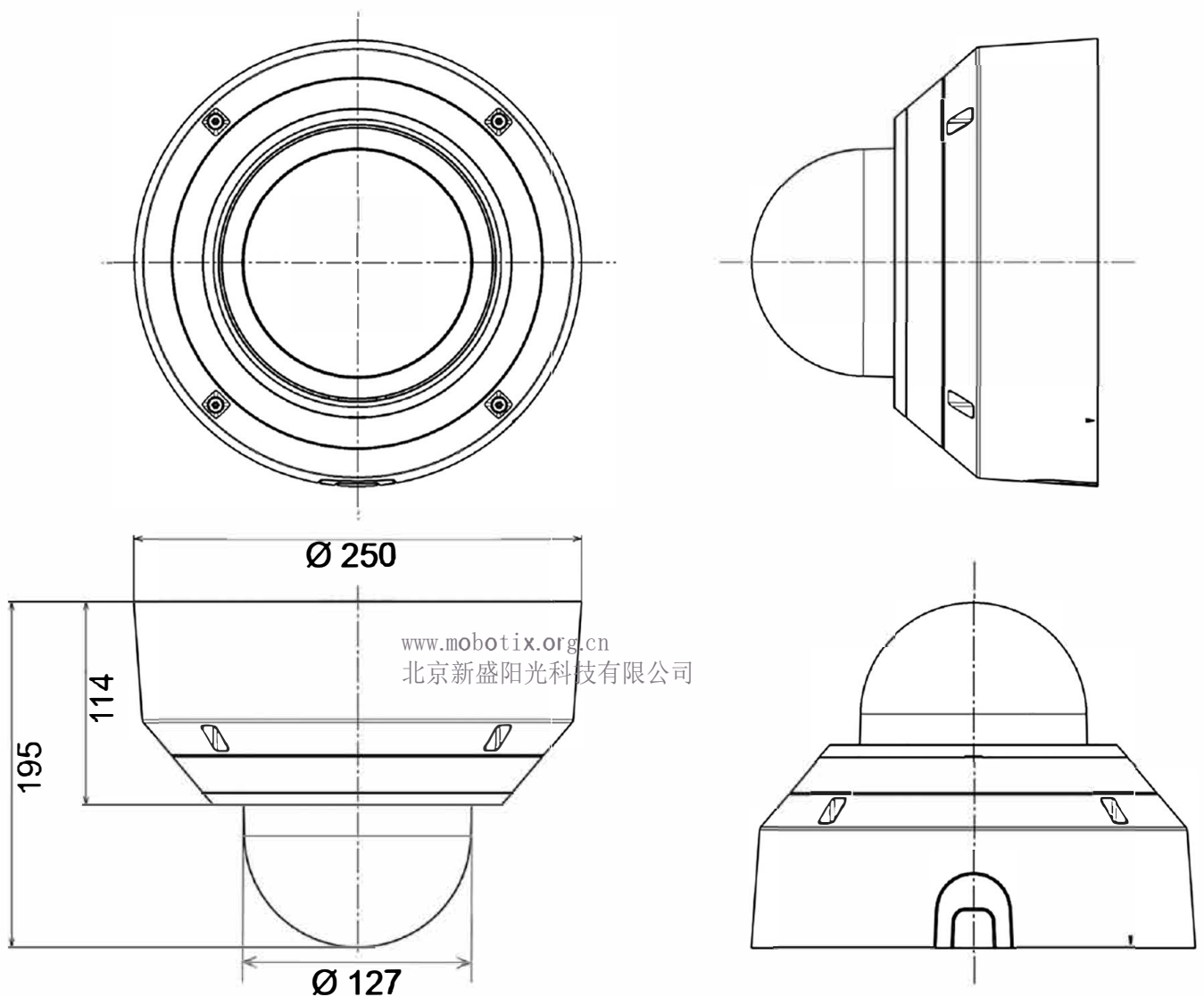


Fig. 1: Mx-VMsD1A-2021-VA: All measurements in mm

Accessories for Multisensor Cameras

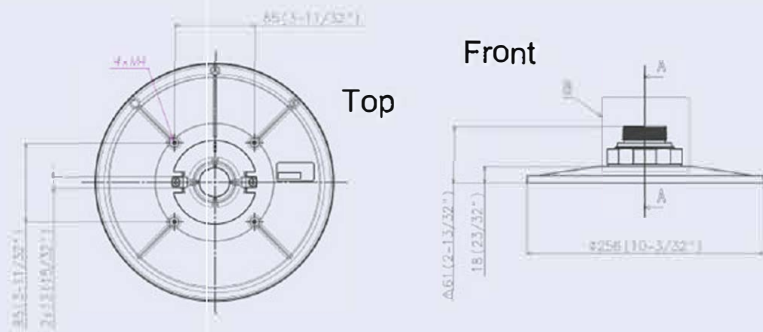
Picture/ Order Code	Description	Compatible Products	Material/ Color	Weight
 <p>Mx-M-VMSD-AP</p>	<p>Adapter mounting plate for MOVE Vandal Multisensor PTZ Combo camera Mx-M-VMSD-2021-VA.</p>	<p>MOVE Vandal Multisensor PTZ Combo camera Mx-M-VMSD-2021-VA. Can be combined with MX-M-SD-GN, MX-M-SD-PM, MX-M-SD-PMEXT, Mx-M-SD-W, Mx-M-SD-WL, Mx-M-SD-WM.</p>	<p>Die-cast ADC12 aluminium alloy, powder-coated RAL9003</p>	<p>1.57 kg</p>
 <p>Mx-M-VMSD-IC</p>	<p>Indoor in-ceiling mount for MOBOTIX MOVE Vandal Multisensor PTZ Combo camera Mx-M-VMSD-2021-VA.</p>	<p>MOVE Vandal Multisensor PTZ Combo camera Mx-M-VMSD-2021-VA.</p>	<p>Die-cast ADC12 aluminium alloy, powder-coated RAL9003</p>	<p>3.5 kg</p>

Dimensions

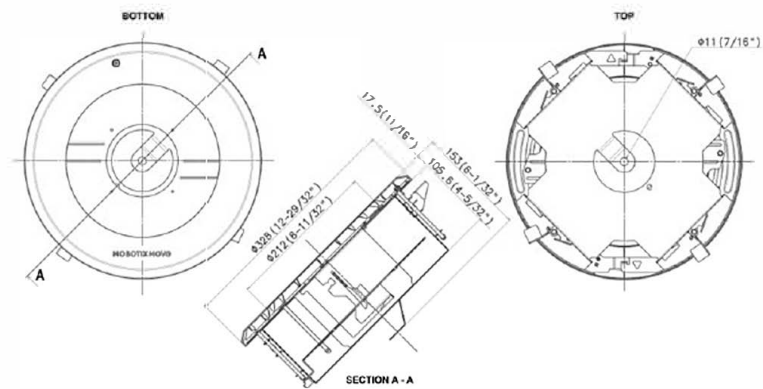
Order Code

Dimensions

Mx-M-VMSD-AP



Mx-M-VMSD-IC



All measurements in mm.

Accessories for All Cameras



Picture/ Order Code	Description	Compatible Products	Material/ Color	Weight
	<p>PoE++ Power Network Injector 60 Watt.</p> <p>AC Input Voltage: 100 to 240 VAC (50 to 60Hz) • AC Input Current: 1.5A @100-240 VAC • Operating Ambient Temperature: • -10° to 40°C @60W • -10° to 50°C, humidity 10 to 90% @30W • IEEE 802.3bt compliant • Output power of 60W over 4-pairs • Supports 10/100/1000Base-T applications • Plug-and-play installation • Full Protection OVP, OCP • Additional required power cord C14-type not included • Warranty: 1 year.</p>	All cameras.	Plastic housing, black	0.318 kg
	<p>Media converter set Ethernet (PoE+) – Twisted-Pair.</p> <p>Complete set consisting of two two-wire transmit/receive units for establishing an Ethernet transmission path via twisted-pair cables. • Transmission of Ethernet and PoE+ power supply via two-wire line according to IEEE1901. • Simple connection of 10/100 Mbps Ethernet end devices • Max. 95 Mbps transmission</p>	All cameras. Requires Mx-A-ETP1A-2601-POW.	Plastic housing, black	0.368 kg

MOBOTIX MOVE Vandal Multisensor PTZ Combo 20MP Video Analytics Camera

Picture/ Order Code	Description	Compatible Products	Material/ Color	Weight
	<p>bandwidth, range up to 600 m/656 yd for data only, 300 m/328 yd for PoE depending on the quality of the twisted-pair link • 128 bit AES network data encryption • Power supply 2-wire transmitter (Tx) and receiver (Rx) as well as end device via PoE+ network switch or external power supply 56VDC / 1.2A (not included!) • Connected end devices are supplied via PoE switch IEEE802.3af(PoE), IEEE802.3at (PoE+), UPoE up to 60W (requires ext. power supply unit). • Status LEDs (data, power supply, data link, PoE) • Integrated Overvoltage protection (IEC 61000-4-5 4kV (1.2 / 50us), 2kA(8 / 20us)) • Power Supply: TX: T-Linx or DC12V~57V, RX: PoE Switch or DC48V~57V • Operational temperature: -20 to 60°C • Dimensions: 80.4(L) x 61.6(W) x 24(H)mm • Weight: RX/TX: 102g • Warranty: 2 years</p>			

Technical Specifications

MOBOTIX MOVE Vandal Multisensor PTZ Combo 20MP Video Analytics Camera

Picture/ Order Code	Description	Compatible Products	Material/ Color	Weight
 Mx-A-ETP1A-2601-POW	Plug-type power supply for Mx-A-ETP1A-2601-SET. Output: 57V DC +/-3% / 1.2 A • Input: 90-260V AC (47-63Hz) • 68,4 Watt • Operating Temperature: 0-40°C/32-122°F	Mx-A-ETP1A-2601-SET	Plastic housing, black	0.49 kg
 MX-SWITCH1	MOBOTIX network switch for DIN (top-hat) rail mounting. 5x RJ45 port with 100 MBit/s (1x uplink, 4x PoE+ with max. 75 W). Supply: 48 V DC, max. 75 W. Simplified cabling for door stations due to available connectivity for anti-theft protection, door opener and MxBus. MxBus, anti-theft protection, door and lock contact can be connected via separate wires of Ethernet cable.	All cameras.	Plastic housing, gray	0.31 kg

Further Reading

[Manuals and Quick Installation documents](#)



[Technical Specifications](#)



[MOBOTIX MOVE Installation Hints](#)



[MOBOTIX Community](#)



MOBOTIX

Beyond Human Vision

www.mobotix.org.cn

北京新盛阳光科技有限公司

15001066905

EN_11/25

MOBOTIX AG • Kaiserstrasse • D-67722 Langmeil • Tel.: +49 6302 9816-103 • sales@mobotix.com • www.mobotix.com

MOBOTIX is a trademark of MOBOTIX AG registered in the European Union, the U.S.A., and in other countries. Subject to change without notice. MOBOTIX do not assume any liability for technical or editorial errors or omissions contained herein. All rights reserved. © MOBOTIX AG 2020