



-40 to +50°C

Technical Specifications

MOBOTIX M26B Allround



Solid. For Every Application.

Our proven all-purpose camera system for mounting on ceilings, walls and poles also easily meets the demanding requirements of protection classes IP66 and IK10. The M26B features the latest 6MP technology and can be used for an especially broad range of applications, thanks to the comprehensive choice of lenses available.

- Mx6 system platform 2nd generation, with MxBus, H.264 and ONVIF compatibility
- Recording on an internal MicroSD card (4 GB as standard)
- Integrated microphone and speaker
- Large choice of lenses with viewing angles from 8° to 180°
- MxAnalytics Video Analysis tools as standard
- Integrated temperature sensor
- Weatherproof, fiber-glass reinforced external housing (IP66, IK10)
- Suitable IR illuminator (PoE+) available as an option

Technical Specifications: M26B Allround

Camera Variants	M26B Body Day Or Night Lens For Self-Assembly	M26B Day Complete Camera	M26B Night Complete Camera
Specialties	M26B Body with 6MP Day or Night sensor Mx-M26B-6D or Mx-M26B-6N ; all lenses (except MX-B016) available separately for self-assembly	Factory-assembled M26B Day or Night cameras with sharply focused lens (only fisheye lens variants available in the Americas)	
Lenses	M26B Body Day Or Night Lens For Self-Assembly	M26B Day Complete Camera	M26B Night Complete Camera
Fisheye-Objektiv MX-B016 (f/2.0, 180° x 180°)	Not for M26B Body	Mx-M26B-6D016	Mx-M26B-6N016
Ultraweitwinkel-Objektiv MX-B036 (f/1.8, 103° x 77°)	Lens selection for M26B Body Day/Night Body Day: Mx- M26B-6D Body Night: Mx-M26B-6N	Mx-M26B-6D036	Mx-M26B-6N036
Superweitwinkel-Objektiv MX-B041 (f/1.8, 90° x 67°)		Mx-M26B-6D041	Mx-M26B-6N041
Weitwinkel-Objektiv MX-B061 (f/1.8, 60° x 45°)		Mx-M26B-6D061	Mx-M26B-6N061
Standard-Objektiv MX-B079 (f/1.8, 45° x 34°)		Mx-M26B-6D079	Mx-M26B-6N079
Teleobjektiv MX-B119 (f/1.8, 31° x 23°)		Mx-M26B-6D119	Mx-M26B-6N119
Distanz-Teleobjektiv MX-B237 (f/1.8, 15° x 11°)		Mx-M26B-6D237	Mx-M26B-6N237
Super-Teleobjektiv MX-B500 (f/2.5, 8° x 6°)		Mx-M26B-6D500	Mx-M26B-6N500
Hardware		M26B Body Day Or Night Lens For Self-Assembly	M26B Day Complete Camera
Image sensor with individual exposure zones	Color or Black & White (B/W)	Color	B/W
Light sensitivity in lux at 1/60 s and 1/1 s	0.1/0.005 (Color) 0.02/0.001 (B/W)	0.1/0.005 (Color)	0.02/0.001 (B/W)
Image sensor (color or B/W sensor)	1/1.8" CMOS, 6MP (3072 x 2048), Progressive Scan		
Microprocessor	i.MX 6 Dual Core incl. GPU (1 GB RAM, 512 MB Flash)		
H.264 Hardware Codec	Yes, bandwidth limitation available; output image format up to QXGA		
Protection classes	IP66 and IK10		
Intended use	Not for use in hazardous areas (Ex area)		
Ambient temperature (range, incl. storage)	-40 to 50°C/-40 to 122°F (cold boot from -30°C/-22°F)		
Internal DVR, ex works	4 GB (microSD)		
Microphone/speaker	Yes/Yes		
16bit/16kHz HD wideband audio (Opus codec)	Yes (live and audio messages)		
Passive infrared sensor (PIR)	No		
Temperature sensor	Yes		
Shock detector (tamper detection)	Yes		
Power consumption (typically at 20°C/68°F)	5 watts		
PoE Class (IEEE 802.3af)	Class 2 or 3 (variable), factory setting: class 3		
Interfaces Ethernet 100BaseT/MxBus/USB	Yes (MxRJ45)/Yes/Yes		
Interface RS232	With MX-232-IO-Box (Order Nr: MX-OPT-RS1-EXT)		
Mounting options	Wall, ceiling or pole (pole mount: MOBOTIX accessory)		
Dimensions (Height x Width x Depth)	189 x 140 x 220 mm		
Weight	350 g		
Housing	Fixed Network, PBT-30GF, color: white		
Standard accessory	Screws, dowels, allen wrenches, VarioFlex wall and ceiling mount, rubber sealing 0,5 m Ethernet patch cable, Quick Install		
Detailed technical documentation	www.mobotix.com > Support > Download Center		
Online version of this document	www.mobotix.com > Support > Download Center		
MTBF	> 80,000 hours		

Technical Specifications: M26B Allround

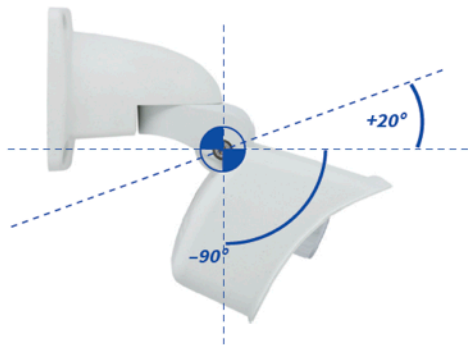
Hardware	M26B Body Day Or Night Lens For Self-Assembly	M26B Day Complete Camera	M26B Night Complete Camera
Certifications	EN55032:2012 EN55022:2010; EN55024:2010; EN50121-4:2015 EN61000-6-1:2007; EN 61000-6-2:2005 EN61000-6-3:2007+A1:2011 EN61000-6-4:2007+A1:2011 AS/ NZS CISPR22:2009+A1:2010 CFR47 FCC part15B		
Protocols	IPv4, IPv6, HTTP, HTTPS, FTP, FTPS, RTP, RTSP, UDP, SNMP, SMTP, DHCP (client and server), NTP (client and server), SIP (client and server) G.711 (PCMA and PCMU) and G.722		
Manufacturer's warranty (since May 2018)	3 years		
Image Formats, Frame Rates, Image Storage	M26B Body Day Or Night Lens For Self-Assembly	M26B Day Complete Camera	M26B Night Complete Camera
Available video codecs	MxPEG/MJPEG/H.264		
Image formats	Freely configurable format 4:3, 8:3, 16:9 or customized format (Image Cropping), such as 2592x1944 (5MP), 2048x1536 (QXGA), 1920x1080 (Full-HD), 1280x960 (MEGA)		
Multistreaming	Yes		
Multicast stream via RTSP	Yes		
Max. image format	6MP (3072 x 2048)		
Max. frame rate (fps, only single core used)	MxPEG: 42@HD(1280x720), 34@Full-HD, 24@QXGA, 15@5MP, 12@6MP MJPEG: 26@HD(1280x720), 13@Full-HD, 9@QXGA, 5@5MP, 4@6MP H.264: 25@Full-HD, 20@QXGA		
Number of images with 4 GB microSD (internal DVR)	CIF: 250,000, VGA: 125,000, HD: 40,000, QXGA: 20,000, 6MP: 10,000		



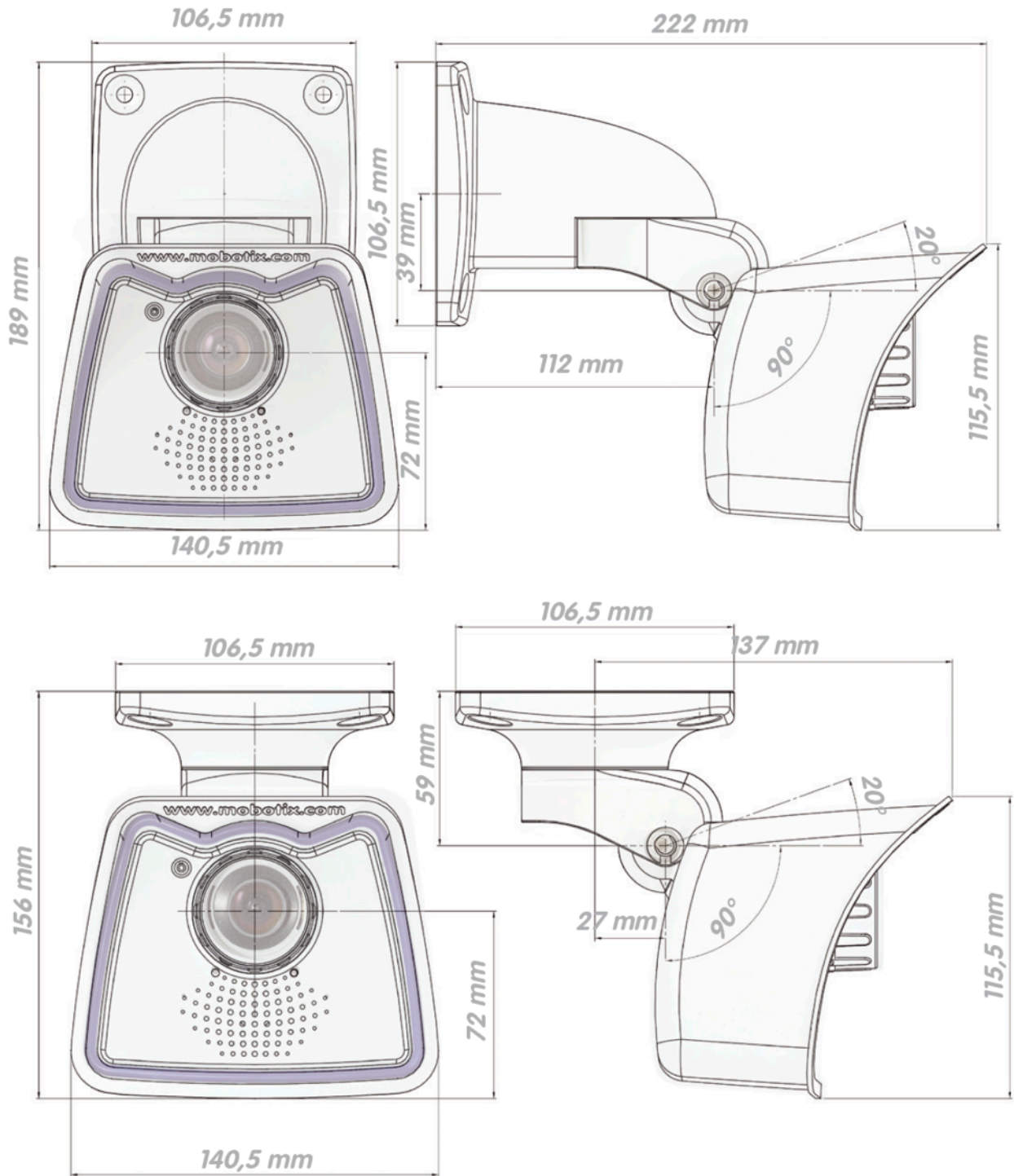
General Functions	M26B Body Day Or Night Lens For Self-Assembly	M26B Day Complete Camera	M26B Night Complete Camera
Digital zoom and pan	Yes		
ONVIF compatibility	Yes (Profile S, audio support with camera firmware V5.2.x and higher)		
Genetec protocol integration	Yes		
Programmable exposure zones	Yes		
Snapshot recording (pre/post-alarm images)	Yes		
Continuous recording with audio	Yes		
Event recording with audio	Yes		
Time controlled flexible event logic	Yes		
Weekly schedules for recordings and actions	Yes		
Event video and image transfer via FTP and email	Yes		
Playback and QuadView via web browser	Yes		
Bidirectional audio in browser	Yes		
Animated logos on the image	Yes		

Technical Specifications: M26B Allround

General Functions	M26B Body Day Or Night Lens For Self-Assembly	M26B Day Complete Camera	M26B Night Complete Camera
Master/Slave functionality		Yes	
Privacy zone scheduling		Yes	
Customized voice messages		Yes	
VoIP telephony (audio, alert)		Yes	
Remote alarm notification (network message)		Yes	
Programming interface (HTTP-API)		Yes	
DVR	Inside camera via microSD card, externally via USB device and NAS, different streams for live image and recording, MxFFS with archive function, pre-alarm an post-alarm images, monitoring recording with failure reporting		
Camera and data security	User and group management, SSL connections, IP-based access control, IEEE802.1x, intrusion detection, digital image signature		
MxMessageSystem: Sending and receiving of MxMessages		Yes	
Video Analysis	M26B Body Day Or Night Lens For Self-Assembly	M26B Day Complete Camera	M26B Night Complete Camera
Video-Bewegungssensor		Yes	
MxActivitySensor		Yes	
MxAalytics	Yes (Heatmaps, counting corridors)		
Video Management Software	M26B Body Day Or Night Lens For Self-Assembly	M26B Day Complete Camera	M26B Night Complete Camera
MxManagementCenter		Yes	
Mobile MOBOTIX App		Yes	



Technical Specifications: M26B Allround



Dimensions in mm